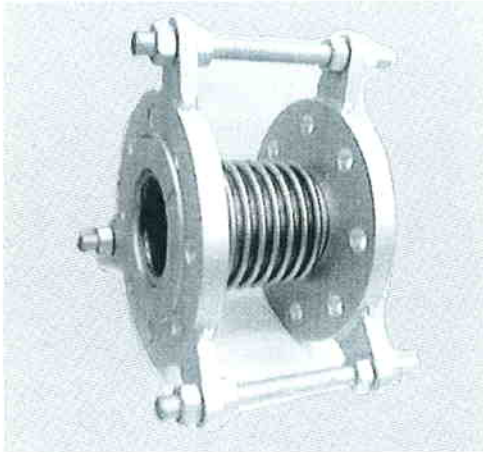


JBF

Stainless Steel Expansion Joint Complete with shipping rods

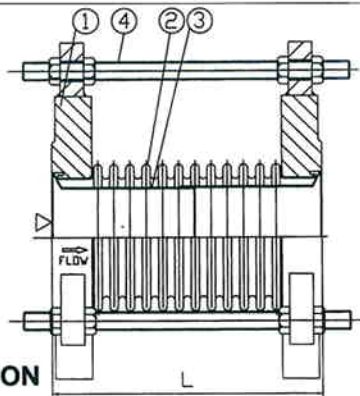


Application : Water, Steam, Turbines, Gas,
Fuel Oil, Air, etc.

Max. Working Temperature : 200°C

Max. Working Pressure : 16 and 25 Kg/cm²

CONSTRUCTION



No.	Parts	Materials	Option
1	Flange	Carbon Steel	SUS 304/316/321
2	Bellows	Stainless Steel	SUS 304/316/321
3	Sleeve	Stainless Steel	SUS 304/316/321
4	Shipping Rod	Carbon Steel	-

SPECIFICATION

Model (Code)	Nominal Diameter {mm(Inch)}	Overall Length (mm)	Axial Movement (mm)	Working Pressure (Kg/cm ²)
JBF20F	20 (3/4)	120	±15	16/25
JBF25F	25 (1)	120	±15	16/25
JBF32F	32 (1¼)	120	±15	16/25
JBF40F	40 (1½)	150	±15	16/25
JBF50F	50 (2)	150	±15	16/25
JBF65F	65 (2½)	150	±20	16/25
JBF80F	80 (3)	150	±20	16/25
JBF100F	100 (4)	200	±20	16/25
JBF125F	125 (5)	200	±20	16/25
JBF150F	150 (6)	200	±20	16/25
JBF200F	200 (8)	250	±20	16/25
JBF250F	250 (10)	250	±20	16/25
JBF300F	300 (12)	250	±20	16/25
JBF350F	350 (14)	250	±20	16/25
JBF400F	400 (16)	300	±20	16/25
JBF450F	450 (18)	300	±20	16/25
JBF500F	500 (20)	300	±20	16/25
JBF600F	600 (24)	300	±20	16/25

Higher pressure rating is available.

Remarks : Others flange standard, larger size, various length & axial movement available on request.